

S 1X54 Compactbox



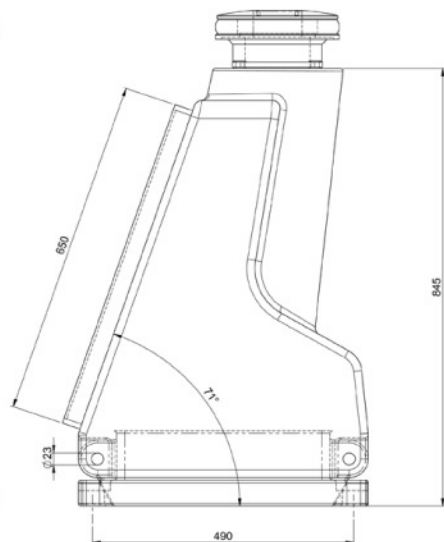
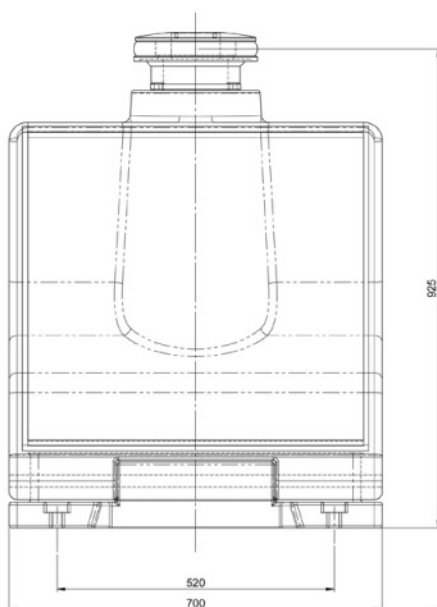
- * Can easily be lifted by one person (without batteries)
- * Fits in every service car or boat.
- * Capacity of the power pack according to your need.
- * Perfect fit for several purposes: harbour lights, spotlights, , leading lights, environment light, signal light etc.
- * A range of (LED)lamps and beacons is available.
- * Standard with day/night switch
- * Easy access to all parts of the installation: ergonomical working conditions.
- * The Solarbox can always be facing south, the construction will not drop shadows on the solar panel.
- * The box opens in two directions, to give acces to the batteries and the charger.
- * in case of failure, the "top" of the solarbox can be exchanged.
- * With two lifting eyes.



ill. 130 Watt version

Specifications

- Panel : standrd 54 Watt Kyocera
- Option : 40/60/70/130 Watt Kyocera
- Battery : standrd 2or 3x 110 Ah led /acid
- Solarbox : maintenance free PE
- Lock : optional Burg Wächter lock
- weight : 20 kg without batteries
- Charger : With log function !
Low voltage disconnect
Day / night switch
programmable hours before sunset/sunrise



Protonna